



Recommended maximum aiming angle 20° from horizontal plane



Optional Coating (/P)

The Evolution II is a photometrically advanced floodlight that combines Ex de protection with optimised utilisation of light through its asymmetric design. The Evolution concept has no exposed flamepaths making the luminaire effectively maintenance free. Access to the lamp and terminal chamber is achieved by the unscrewing of a single captive bolt

Standard Specification

Features

Type of Protection	Ex d e (Flameproof, Increased Safety) Dust protected enclosure
ATEX Classification	Group II Category 2 GD
Area Classification	Zone 1 and Zone 21 areas to EN 60079-10-1 and EN 60079-10-2 with installation to EN 60079-14 Gas Groups IIA and IIB
Certificate	EC Type Examination Certificate Baseefa04ATEX0155 IECEx Certificate of Conformity IECExBAS05.0045X
Coding	⊕ II 2 GD Ex d e IIB Refer to table for T rating and Ambient
Enclosure	Aluminium alloy LM6 to BS 1490 (AC44100) All fastenings A4 stainless steel Toughened glass window
Reflector	Asymmetric beam, high purity anodised aluminium
Entry	2 x M20 cable entries
Termination	3 core 6mm ² max. conductor with looping
Installation	Stirrup mounting bracket with aiming quadrant
Windage	0.112m ²
Control Gear	Internal copper/iron with PFC correction capacitor and timed ignitor
Relamping	Access via hinged end cover on release of single screw
Burning Position	Universal for HID
Ingress Protection	IP66/67 to EN 60529
Electrical Supply	220, 230, 240, 254V 50Hz HPS & Metal Halide

Installation in gas groups IIA and IIB

Easy and quick access for maintenance

Simple, rapid lamp replacement and flamepath inspection

Reduced maintenance due to no exposed flamepath

Exceptional photometric efficiency with reduced glare

Timed ignitor supplied as standard

International Approvals

ATEX, GB (China) and GOST

IECEx Compliant

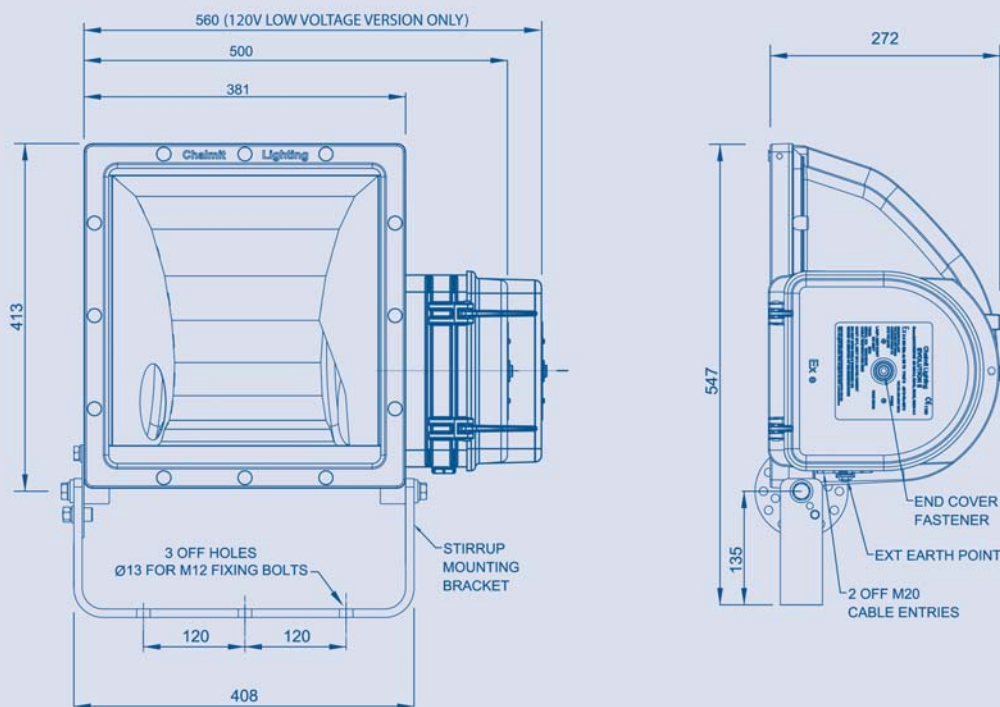
Std. Cat No.	Wattage	Lamp	Lampholder	T Class (Gas)	T °C (Dust)	Ambient °C	Weight
EV2D/150/MS	150W	HPS and Metal Halide	E40	T4	130	-20 to +40	28.0kg
				T3	175	-20 to +55	
EV2D/250/MS	250W	HPS and Metal Halide	E40	T4	130	-20 to +40	28.5kg
				T3	175	-20 to +55	
EV2D/400/MS	400W	HPS and Metal Halide	E40	T3	175	-20 to +55	28.5kg
EV2D/600/HS*	600W	HPS	E40	T3	195	-20 to +35	25.0kg

*Ignitor only fitted. Remote gear box required (see Universal Box).

Note: Please specify voltage at time of enquiry/order

Options – Suffix to Catalogue No.

/120	110V - 130V (Weight increase of +10kg) HPS and Metal Halide lamps only	/P	Marine grade polyester paint coating (RAL 7043)
		/PE	Pendant mounted
/60	60Hz	/N	Narrow beam option
/208-60	208V 60Hz		
/M25	M25 cable entries		



NOTE: 120V version utilises deeper end cover (as shown above)

Accessories Should be ordered separately

Catalogue Order Code

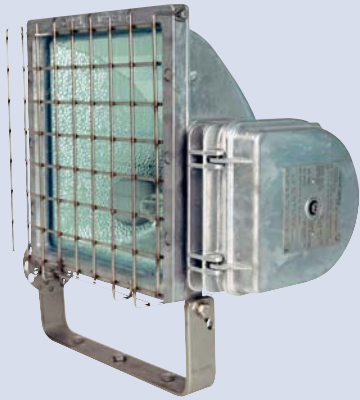
Product design and specifications are subject to change without notice, please check the Chalmit® website for latest specifications.



EVOLUTION RANGE

3

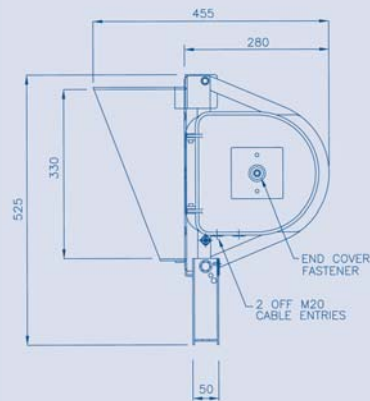
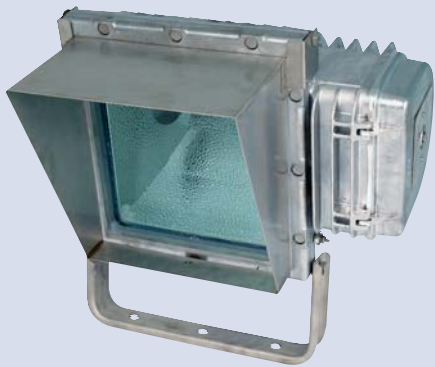
Evolution II & Evolution Guards and Shields



Evolution II	
Wire Guard	SEV04-0020
Combined Anti-Glare Shield and Wire Guard	SEV24-0001
Evolution	
Anti-Glare Shield	SEV04-0002
Wire Guard	SEV04-0003
Combined Anti-Glare Shield and Wire Guard	SEV04-0008

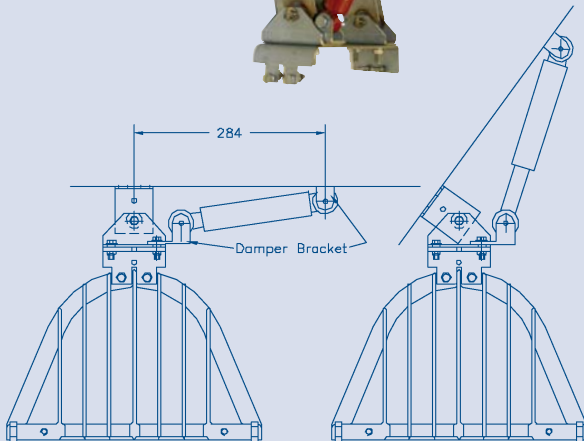
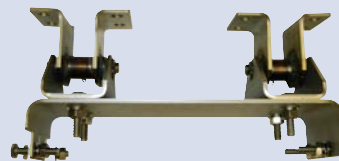
Evolution Anti-Glare Shield

Combined Anti-Glare Shield and Wire Guard

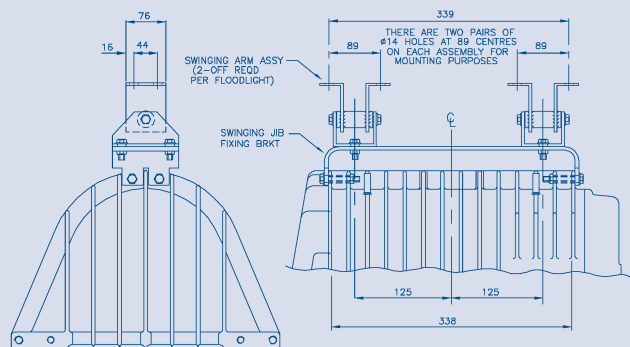


Swing Jib Damper & Bracket Assembly (220-254V only)

Evolution only



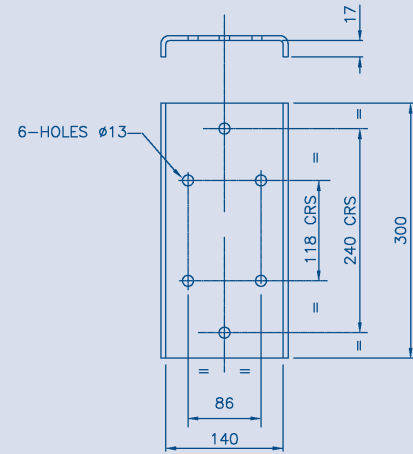
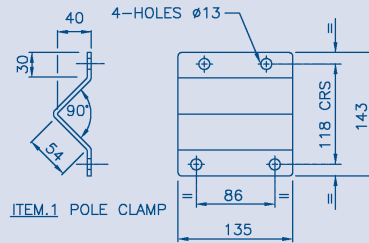
Damper assembly - SEV01-0015



Bracket assembly - SEV04-0009

Pole Mounting Bracket Assembly

Cat No. SEVO4-0001



284 Retrofit Bracket

Cat No. SEVO1-0001

